



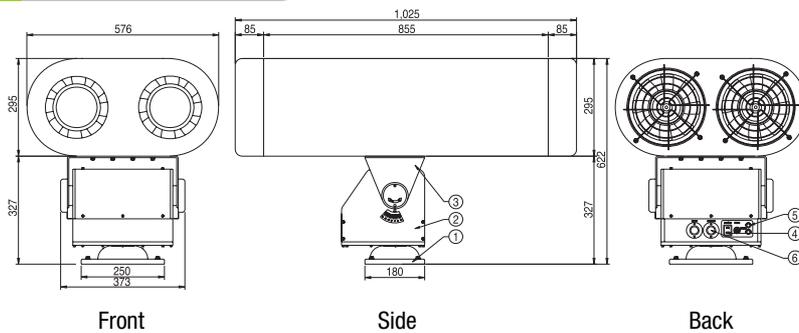
Pro-Jet Fan 50LM Series

Features

- Direction Change is Possible by a Embedded Tilted Driver Mechanism
- Low Noise by Shielding a Generating Noise by a Silencer Cover
- 2 Times Air Flow Rate in comparison with a 40LP model

PFS-50LM, PFV-50LM

Dimensions



Material Table

- ① Fan Base
- ② Pan-Tilt Driver Body
- ③ Fan Bracket
- ④ Switch Lamp
- ⑤ Air Flow Volume
- ⑥ Cable Connector

Fan Specifications

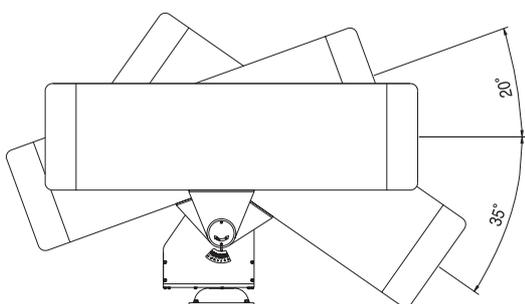
Model Name	PFS-50LM (Constant Air Flow)	PFV-50LM (Variable Air Flow)	PFH-50LM (High Temperature, 250°C, 2hrs)
	* Refer to 50LP Series(pp. 9) on all specification.		Not Available

Pan-Tilt Driver Specifications

Rotation Angle	°	Pan(Left / Right) : 240° Max., Tilt(Up / Down) : -35° ~ +20° Max.
Rotation Speed	°/sec	Pan(Left / Right) : 5°/sec, Tilt(Up / Down) : 4°/sec
Material		Aluminum Frame, Stainless Steel Bracket, All Parts Corrosion, Protected or Glass-Field Thermo Plastic
Operation Temperature	°C	-10 ~ +50
Rotated Power	V, Hz	AC 230V, 50Hz
Power Consumption	W	Pan : 35, Tilt : 35
Weight	kg	37

Drawings on a Range of Pan-Tilt Angle

Tilt Angle



Pan Angle

